

MADE IN ITALY



SLIM

INCLINED PLATFORM LIFT FOR CURVED STAIRS

Cedas
experience the change



The special **rope traction system** presents major benefits in respect of the traditional rack-and-pinion system commonly offered on the market: Slim can suit to **very narrow staircases** (min. passage required 895 mm), installation is possible both on the inner and outer side of the staircase as well as with very low headbulk. Slim is also **silent** when functioning and **comfortable for the user**.



Every component is **designed to occupy the minimum space** on the staircase and in the parking zones.



REMOTE CONTROLS

to call the stairlift from the floor or send it to the parking position.



FOLDABLE SEAT

for users not on wheelchair.



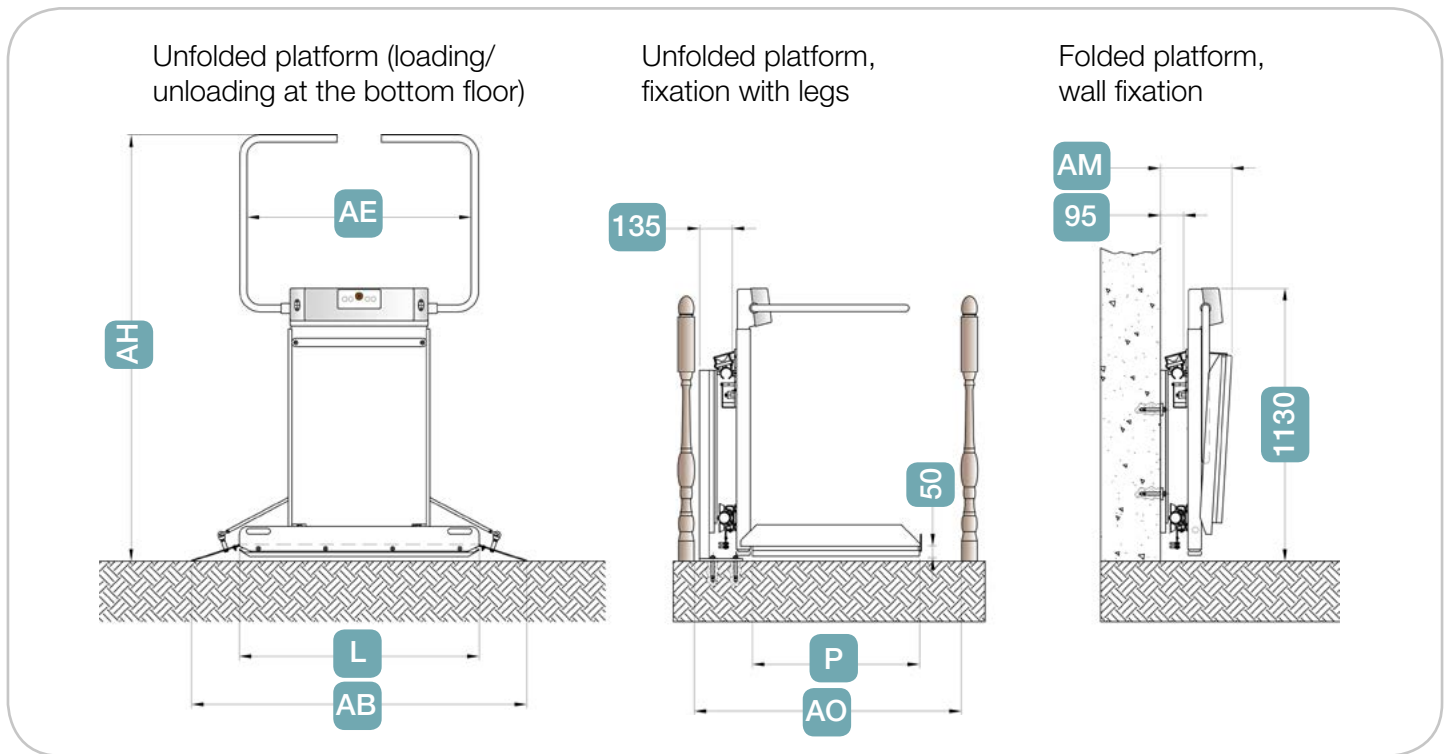
OPTIONAL WANDER LEAD

for attendant control, with spiral cable.



1. The **controls** for rise and descent are **easily reachable** by any user on every side of the instrument board.
2. The **overload led** and the **flashing light with sound alarm** fulfill compliance to the existing Safety Regulations both in private and public places.
3. The emergency button **stops immediately** the platform; when pressed it lights up and sounds uninterruptedly, warning the user of any incidental pressing.
4. The **key switch on board** prevents from use of the lift by unauthorized persons.
5. The **innovative electronic system** allows to keep constant track of the state of functioning, it considerably **simplifies diagnostics** and allows the installer to **customize the main parameters** according to the user's needs at any time.

TECHNICAL FEATURES OF SLIM PLATFORM LIFT



Platform dimensions (LxP)	750x600	750x650	750x700	850x700	1000x800	1250x800
AB Overall platform length	1130	1130	1130	1230	1400	1650
AE Overall useful length within barrier arms	745	745	745	825	975	1225
AH Overall height unfolded platform	1640	1690	1690	1690	1765	1765
AO Minimum stair width (wall fixation)	895	935	975	1005	1130	1215
AO Minimum stair width (fixation with legs)	935	975	1015	1045	1170	1255
AM Folded platform (wall fixation)				305		
AM Folded platform (fixation with legs)				345		

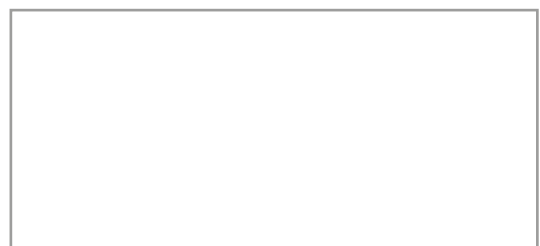
Technical data	
Load capacity	225 Kg
Surmountable inclination	0°-55°
Speed	0,10 m/s
Control circuits voltage	24V DC
Maximum power (up to 3 floors)	0,75 kW
Soft-start and soft-stop system	standard fitted

Colours	
Platform (*)	Standard RAL 7035
Rails	Standard RAL 7035 or RAL 9005
(*) other RAL colours available on request	

All dimensions are expressed in millimeters and all information contained in this catalogue have to be ment purely indicative.Cedas reserve the right to change at any time the information here reported without prior notification.



CEDAS E.F.LLC
 New Industrial Area, Ajman
 UNITED ARAB EMIRATES
 Tel: +971 6 743 7667
 Fax: +971 6 748 4131
 sales@cedas-uae.com



For futher information see our website www.cedas-uae.com