

Fixed Pool Lifts **F 145 • F 145/B**

Certifications and Patent

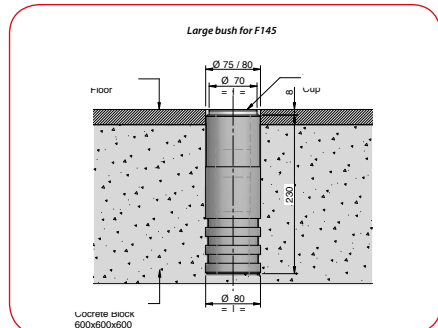
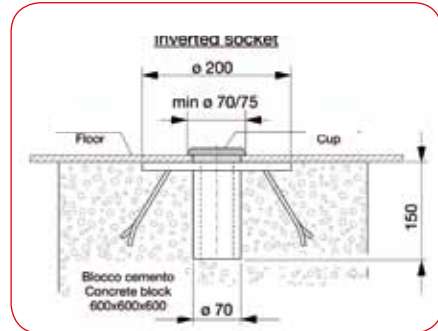
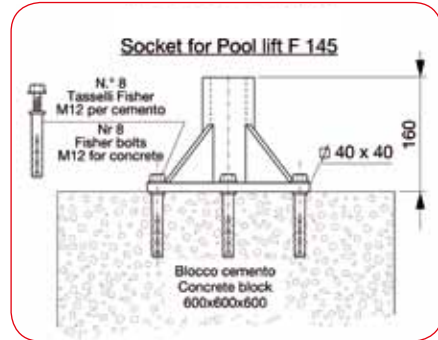
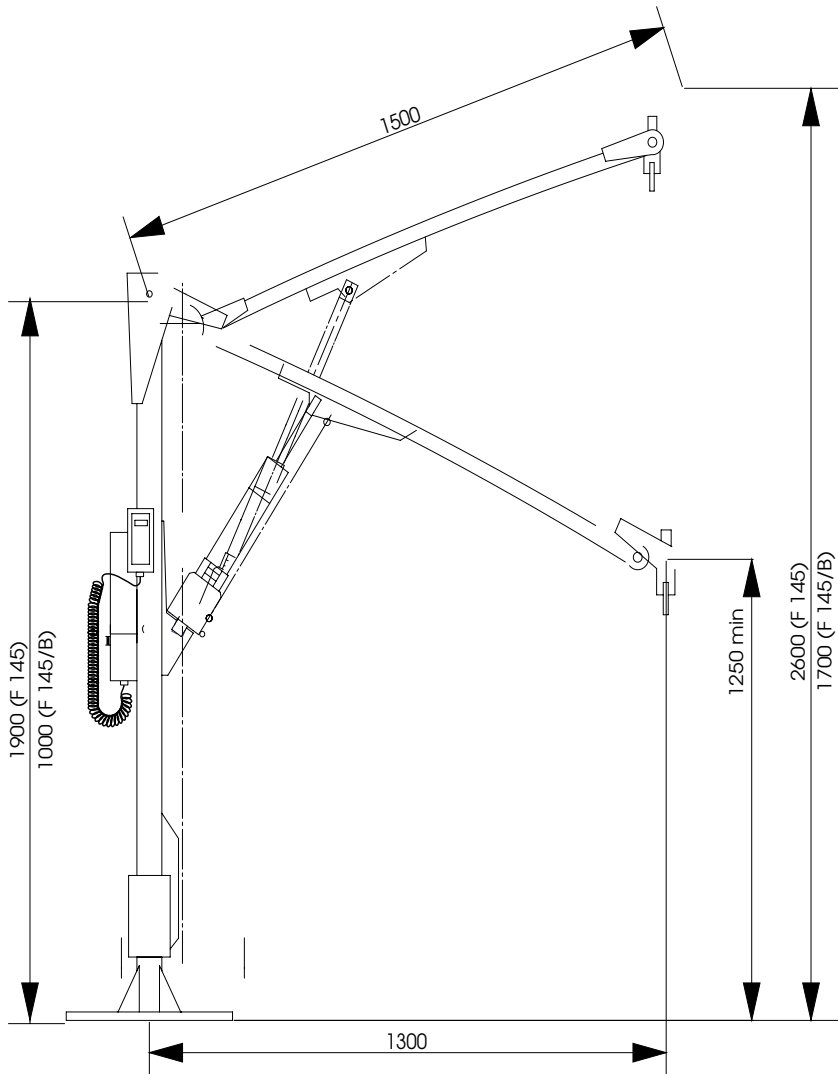
- Directive 93/42/CEE - Medical Device - DM 321258/R
- Directive 2006/42/CE - Machine Directive
- Directive 2004/108/EC - EMC Electromagnetic Compatibility



Fixed Pool Lift **F 145 • F 145 B**

The F 145 poolside lift can be fixed to the floor by means of its standard socket to be can-be fixed by pins or by a socket to be concreted into the floor or, as a third alternative by a large bush . This pool lift is recommended for any type of walled pool. There is also a shorter version, **F145B**, which is suitable for skimmer or ground deck pools. It can also be used for boats, docks etc. This poolside lift can be equipped with a seat+transporter or a sling or other customized devices.

Measurements



Features/Materials/Equipment

| | |
|--|------------|
| Maximum capacity | 140 kg |
| Max. arm travel (without support) | 1350 mm |
| Time of Down-lifting with weight | 40 sec |
| Time of Up-lifting with weight | 40 sec |
| Total weight | 63 kg |
| Battery | 24 V |
| Power | 12 V |
| Electric box | |
| External battery charger | |
| Rotation | 360° |
| Floor fixing plate | 40 x 40 cm |
| Steel structure: zinc coated and powder finished | |
| REMOTE CONTROL | |